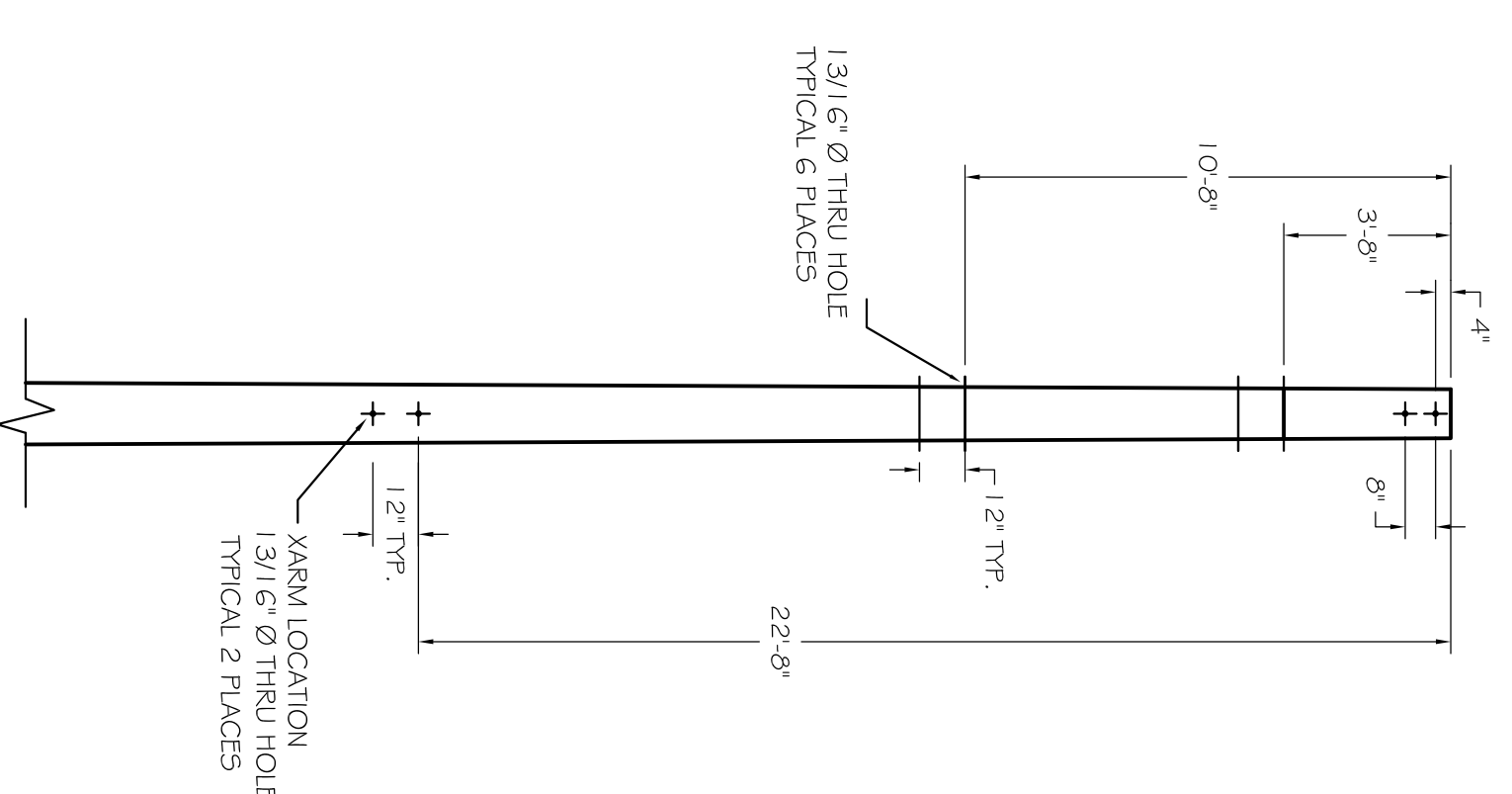


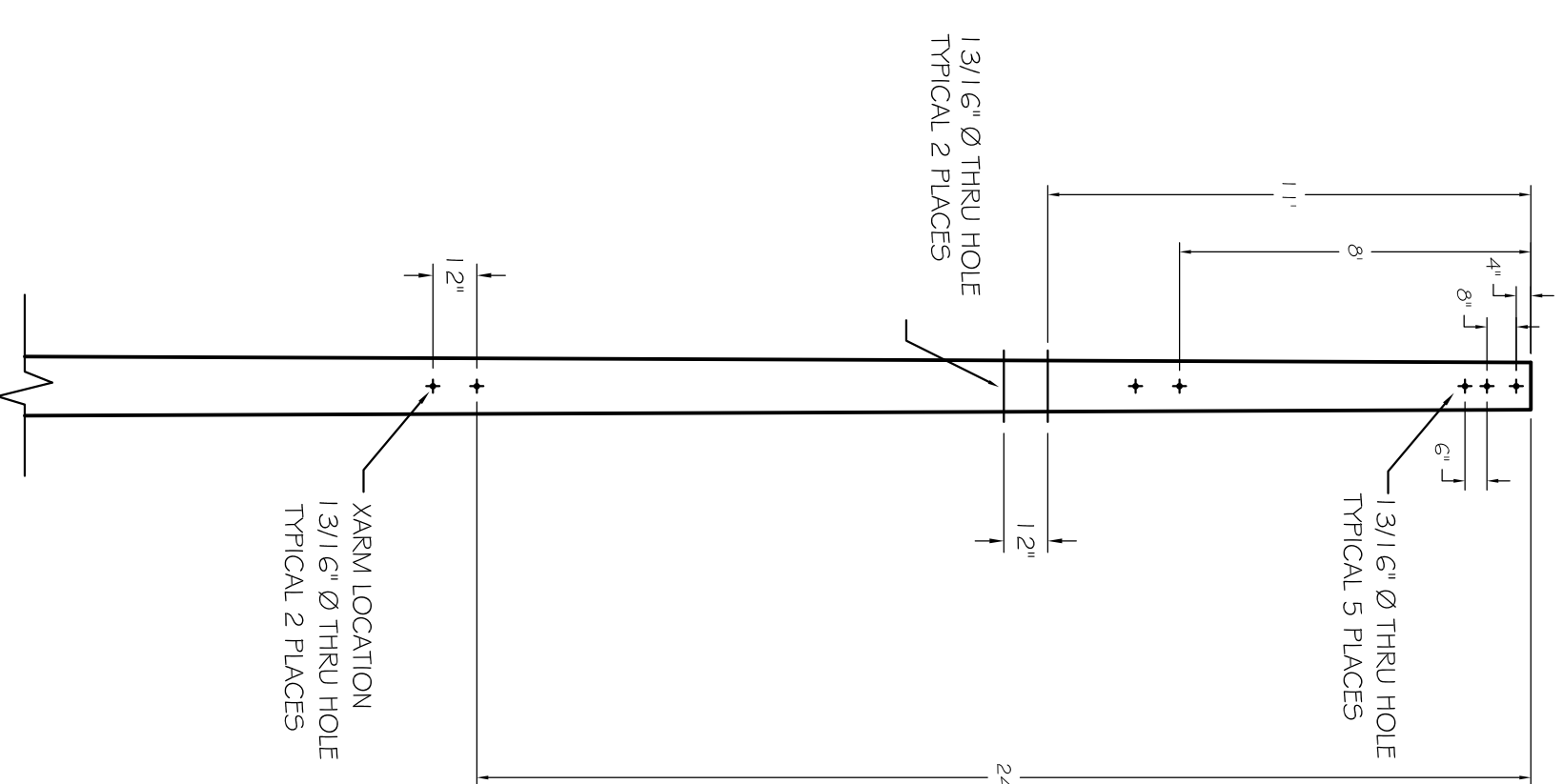
(1150V2-4, 1150V2.1-4)

QUANTITY	LENGTH	SHAKESPEARE #
2	75'	H1B75



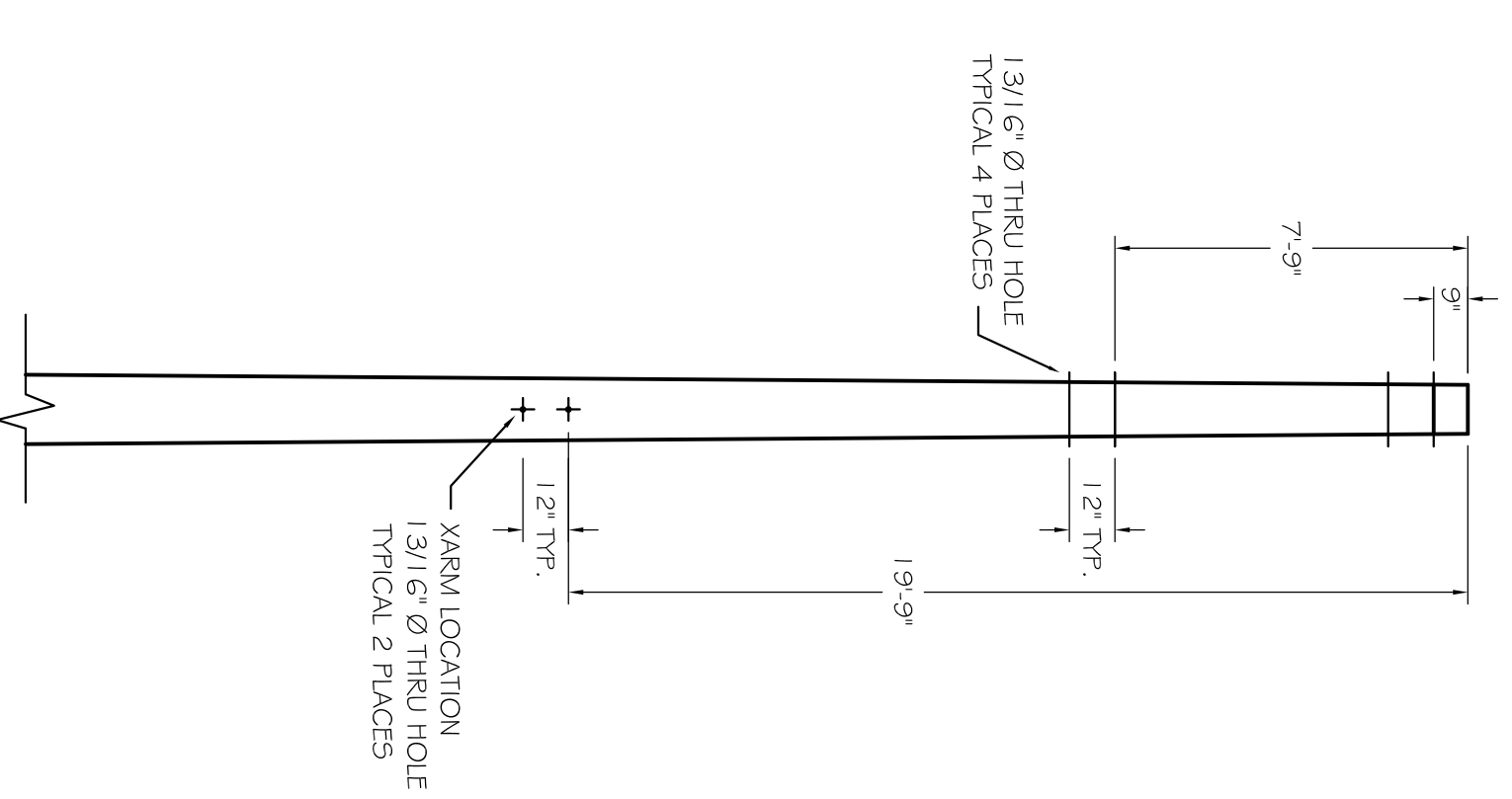
(115N2.1, 115N2.2)

QUANTITY	LENGTH	SHAKESPEARE #
5	70'	H1B70



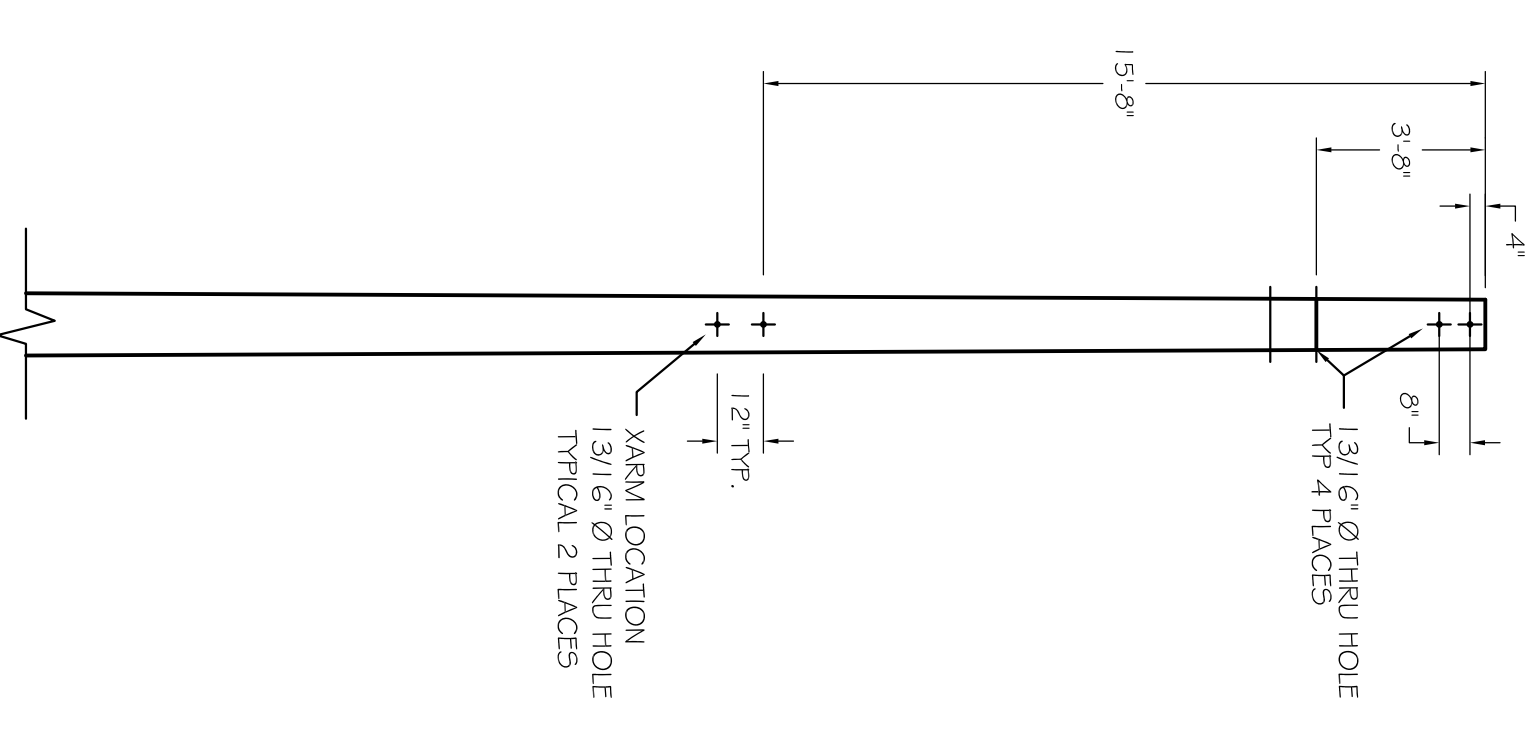
(115DX1.1, 115DX1)

QUANTITY	LENGTH	SHAKESPEARE #
2	70'	H1B70



(115N4.1, 115N4)

QUANTITY	LENGTH	SHAKESPEARE #
1	85'	H1B85



(115N2.2, 115N2.1)

QUANTITY	LENGTH	SHAKESPEARE #
2	70'	H1B70

POLES	CLASS
23	H1
7	H1
1	H1
* 1	H1
32	TOTAL POLES

* NO DRILLING

NOTE:
 DRILLING NUMBER AS SHOWN ON THIS DRAWING SHALL BE INCLUDED ON MANUFACTURERS ID TAG IN ADDITION TO OTHER INFORMATION AS SPECIFIED IN APPROVAL DRAWINGS.
 PULL STRING TO BE PROVIDED FOR INTERVAL GROUND WIRE WITH THE TOP HOLE TO BE LOCATED 9" BELOW THE BOTTOM XARM HOLE, AND THE BOTTOM HOLE TO BE LOCATED 1' BELOW THE TOP HOLE. PULL STRING TO BE PROVIDED TO BE LOCATED 45" FROM THE FACE OF THE POLE. PULL STRING TO BE PROVIDED ON ALL POLES 55' IN LENGTH AND GREATER.